

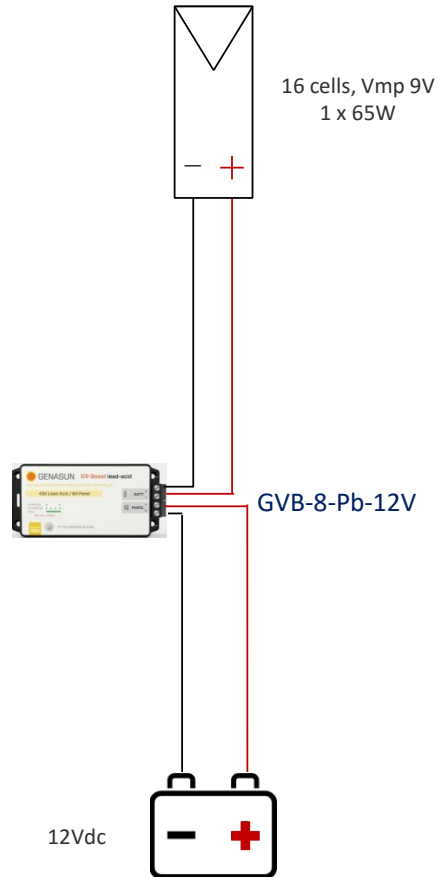
# GVB-8-Pb-12V / GVB-8-Pb-24V

System Voltage 12-24V | Max Voc 63V



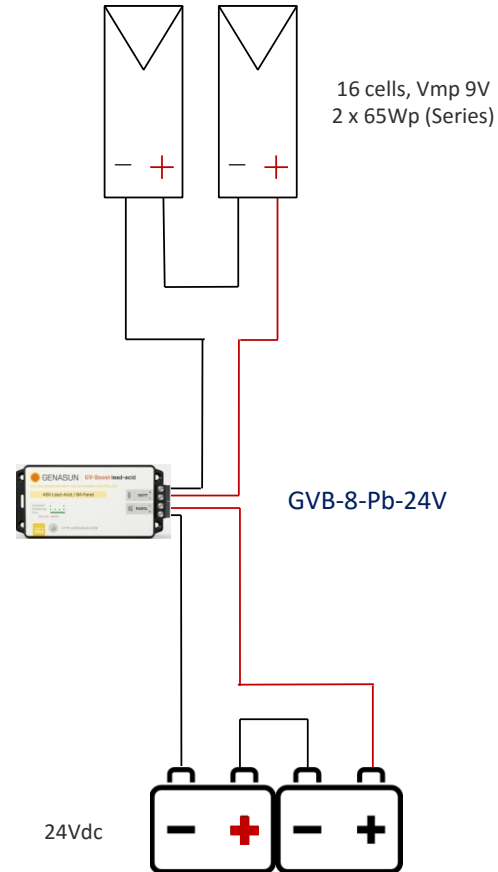
## Example #1

Up to 20 cells, Vmp up to 13V  
105W max., Battery System Voltage 12V



## Example #2

Up to 36 cells, Vmp up to 26V  
210W max., Battery System Voltage 24V



PV Panel



Battery (AGM)

Blue Sky Energy Inc.

June, 2016

Single Line Diagram - GV Boost@12-24V

[www.blueskyenergyinc.com](http://www.blueskyenergyinc.com)

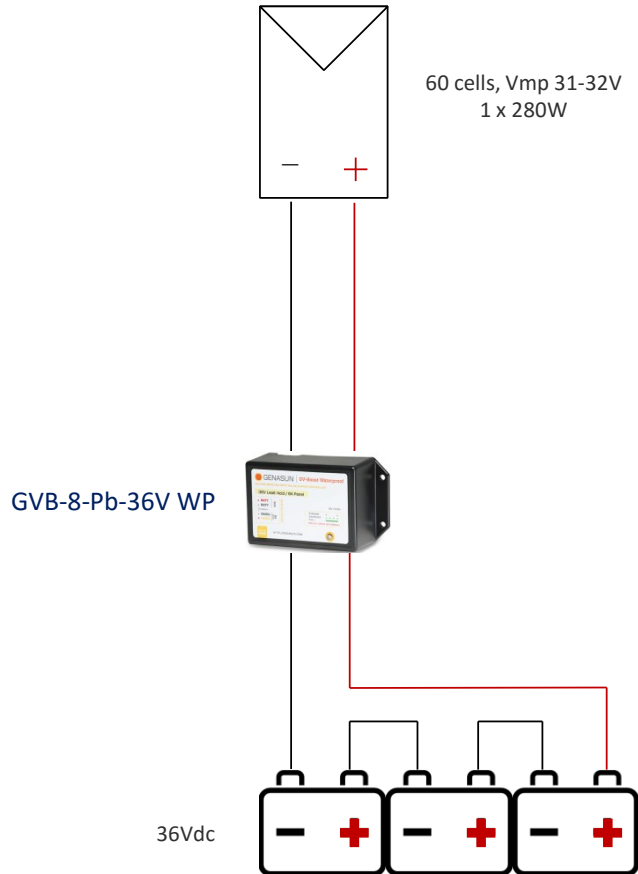
# GVB-8-Pb-36V-WP GVB-8-Pb-48V

System Voltage 36-48V | Max Voc 63V



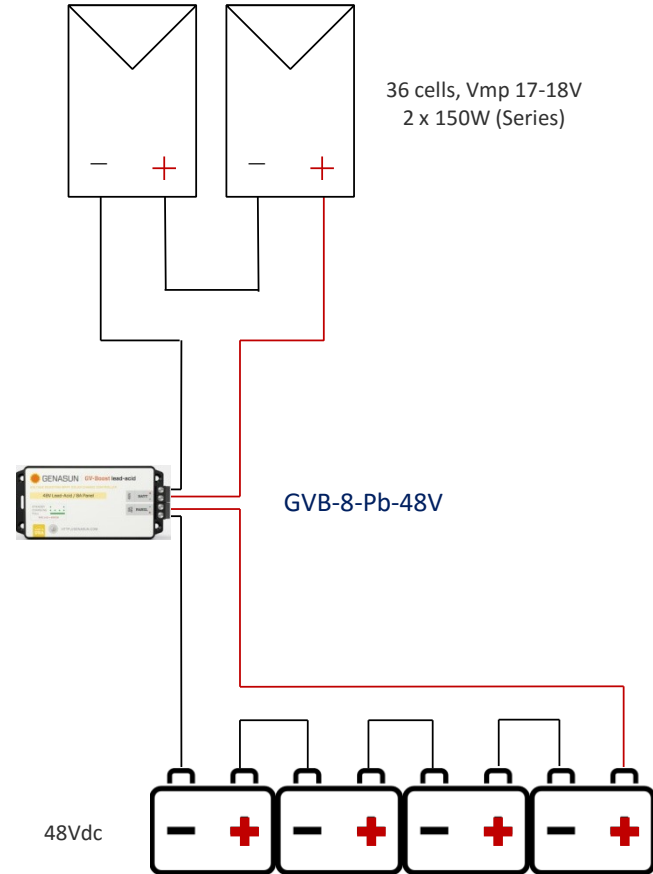
### Example #3

Up to 72 cells, Vmp up to 41V  
325W max., Battery System Voltage 36V



### Example #4

Up to 80 cells, Vmp up to 43V  
350W max., Battery System Voltage 48V



PV Panel



Battery (AGM)

Blue Sky Energy Inc.

June, 2016

Single Line Diagram – GVB-8 @36-48V

[www.blueskyenergyinc.com](http://www.blueskyenergyinc.com)